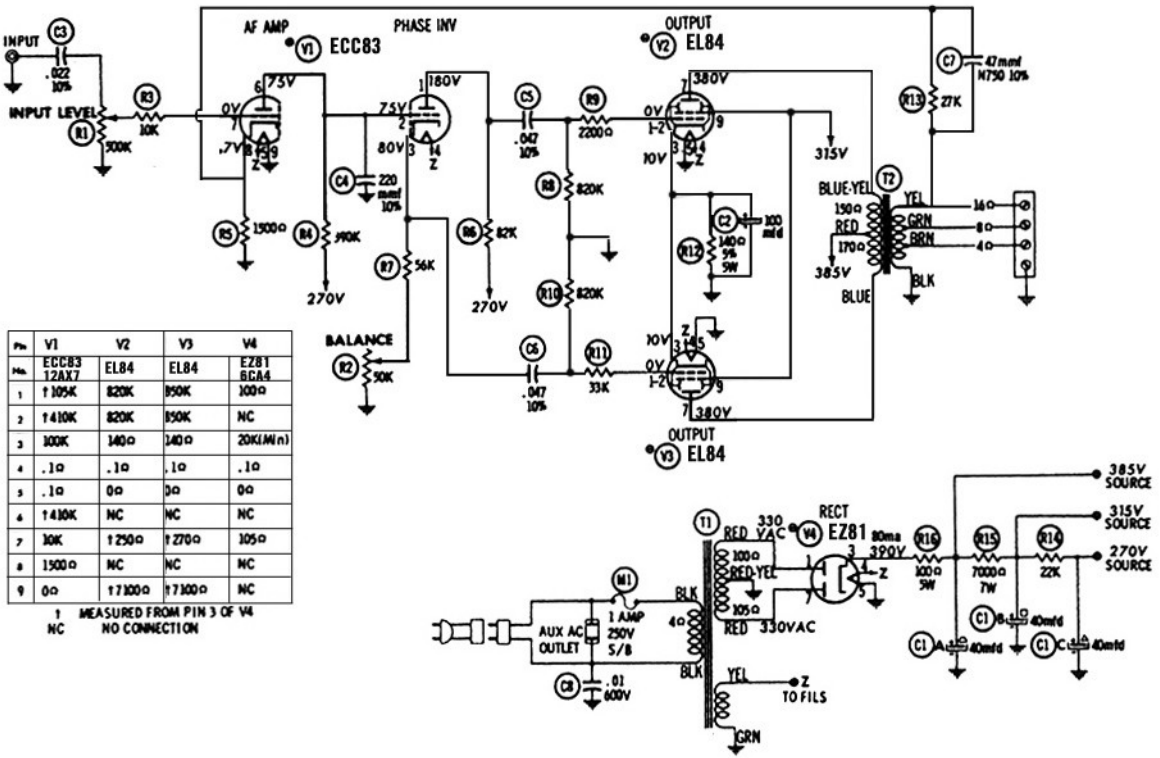


Fisher 30-A power amplifier



Pin	V1	V2	V3	V4
Pin	ECC83	EL84	EL84	EZB1
1	105K	820K	950K	100Ω
2	1410K	820K	950K	NC
3	300K	140Ω	140Ω	20K(M/N)
4	.1Ω	.1Ω	.1Ω	.1Ω
5	.1Ω	0Ω	3Ω	0Ω
6	1410K	NC	NC	NC
7	30K	1250Ω	1270Ω	105Ω
8	1500Ω	NC	NC	NC
9	0Ω	17100Ω	17100Ω	NC

1 MEASURED FROM PIN 3 OF V4
 NC NO CONNECTION

PARTS LIST AND DESCRIPTIONS TUBES

• CBS •		GENERAL ELECTRIC		RAYTHEON		SYLVANIA	
ITEM No.	USE	TYPE		ITEM No.	USE	TYPE	
V1 V2	AF Amp. -Phase Inv. Output	ECC83/12AX7(7025)* EL84/6BQ5 (7189)*		V3 V4	Output Rectifier	EL84/6BQ5 (7189)* EZ81/6CA4	

* Alternate

ELECTROLYTIC CAPACITORS

ITEM No.	RATING		REPLACEMENT DATA						
	CAP.	VOLT.	FISHER PART No.	AEROVOX PART No.	CORNELL-DUBILIER PART No.	MALLORY PART No.	PYRAMID PART No.	SPRAGUE PART No.	NOTES
C1A B C	.40	450	C677-120	AFH3-44	C0350	FP377	TMT-40	TVL-3787	
	.40	350							
C2	.40	350	C677-145	SRE25V100	BBR100-25	TC2501	ML100-25	TE-1211	
	100	25-							

FIXED CAPACITORS

Capacity values given in the rating column are in mfd. for Paper Capacitors, and in mmfd. for Mica and Ceramic Capacitors.

ITEM No.	RATING			REPLACEMENT DATA							NOTES
	CAP.	VOLT.	TOL.	FISHER PART No.	AEROVOX PART No.	CENTRALAB PART No.	CORNELL-DUBILIER PART No.	MALLORY PART No.	SPRAGUE PART No.		
C3	.022	250	10%	C50074-26	V84C4S22	D6-221	PM4S22	GTM-4122	4TM-S22		
C4	.220		10%	CC21GP221K5	NPO-SI 220		L10T22	JL-322	5GA-T22S 10%*		
C5	.047	500	10%	C50074-37	V84C6S47	TCN-47	PM6S47	GTM-6147	6TM-S47		
C6	.047	500	10%	C50074-37	V84C6S47		PM6S47	GTM-6147	6TM-S47		
C7	.47		N750 10%	CC21GP470K5	N750-SI 47	D6-103	C10Q47U	CN7-447	5TCU-Q47S 10%*		
C8	.01	600		C2747	P688N-01		CUB681	GEM-611	6TM-S1		

* Not normally in distributor's stock. Available thru distributor on order to manufacturer.

CONTROLS

ITEM No.	RATING		REPLACEMENT DATA					INSTALLATION NOTES
	RESISTANCE	WATTS	FISHER PART No.	CENTRALAB PART No.	CLAROSTAT PART No.	IRC PART No.	MALLORY PART No.	
R1 R2A B	500K 50K Shaft	1/4 1/2	R520-139 R50103-3	JP-504 BX-31 Not Req.	48M-500K-S A47-50K-S FKS-1/4	Q11-123 Not Req.	SU-35 Not Req.	Input Level Phase Inverter Balance

RESISTORS

All wattages 1/2 watt, or less, unless otherwise listed.

ITEM No.	RATING	REMARKS	ITEM No.	RATING	REMARKS	ITEM No.	RATING	REMARKS
R3	10K		R8	820K		R13	27K	
R4	390K		R9	2200Ω		R14	22K	
R5	1500Ω		R10	820K		R15	7000Ω 7W	
R6	82K		R11	33K		R16	100Ω 5W	
R7	56K		R12	140Ω 5%5W				

TRANSFORMER (POWER)

ITEM No.	RATING			REPLACEMENT DATA						
	PRI.	SEC. 1	SEC. 2	FISHER PART No.	Hollidorsen PART No.	Merit PART No.	Rom PART No.	Stancor PART No.	Thordarson PART No.	Triad PART No.
T1	117V @ .63A	660 VCT @ .080A	6.3V @ 2.8A	T725-115	24R40U	P-3152①		PC8409	24R40U	R-11A①

① Drill New Mounting Holes.

TRANSFORMER (AUDIO OUTPUT)

ITEM No.	IMPEDANCE		REPLACEMENT DATA							NOTES
	PRI.	SEC.	FISHER PART No.	Hollidorsen PART No.	Merit PART No.	Rom PART No.	Stancor PART No.	Thordarson PART No.	Triad PART No.	
T2	7000Ω CT	16Ω Tape @ 8Ω, 4Ω	T725-116	22S68①	A-3128①		A-3307①	22S68 ①	S-24A①	① Drill New Mounting Holes